

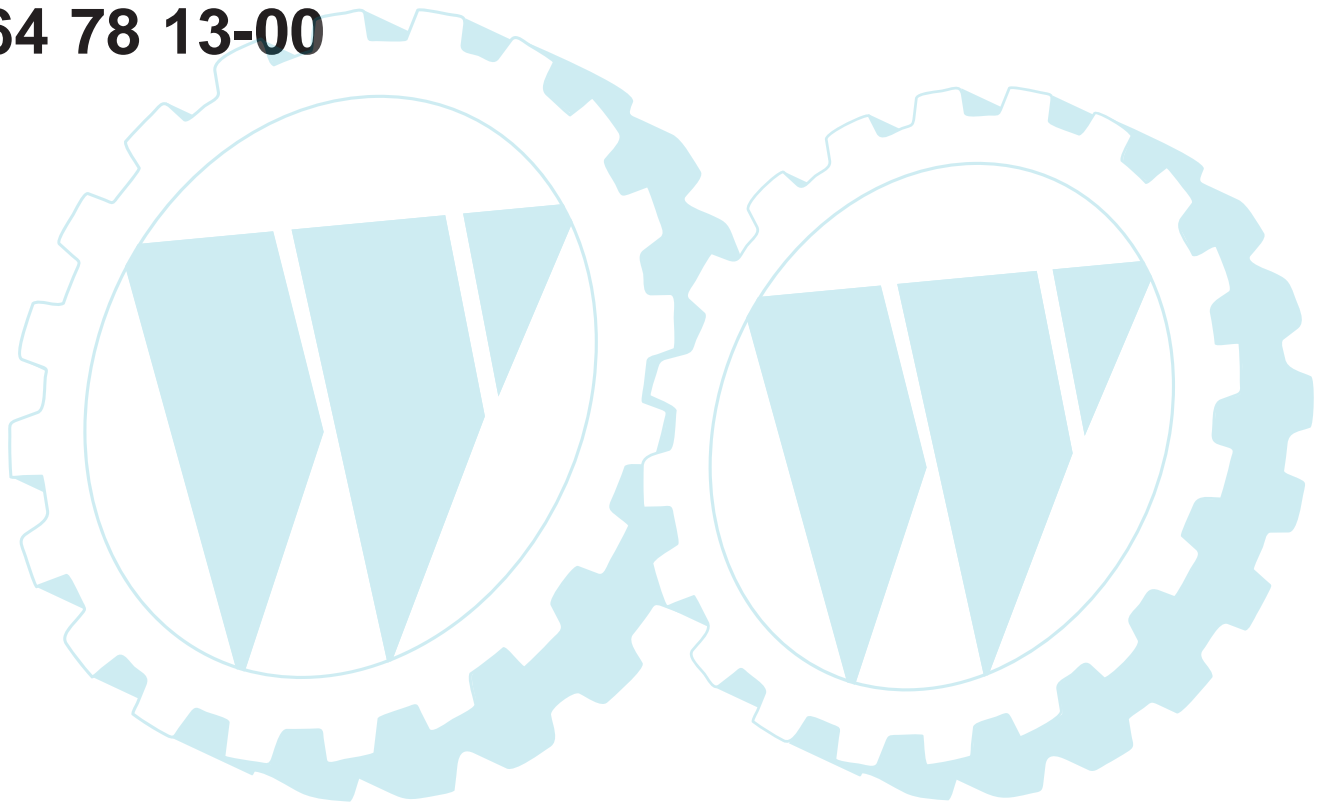
ILLUSTRATED PARTS BREAKDOWN

BERNARD

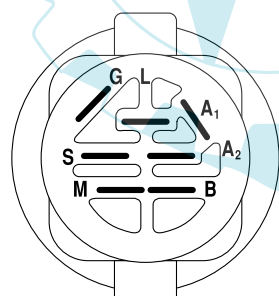
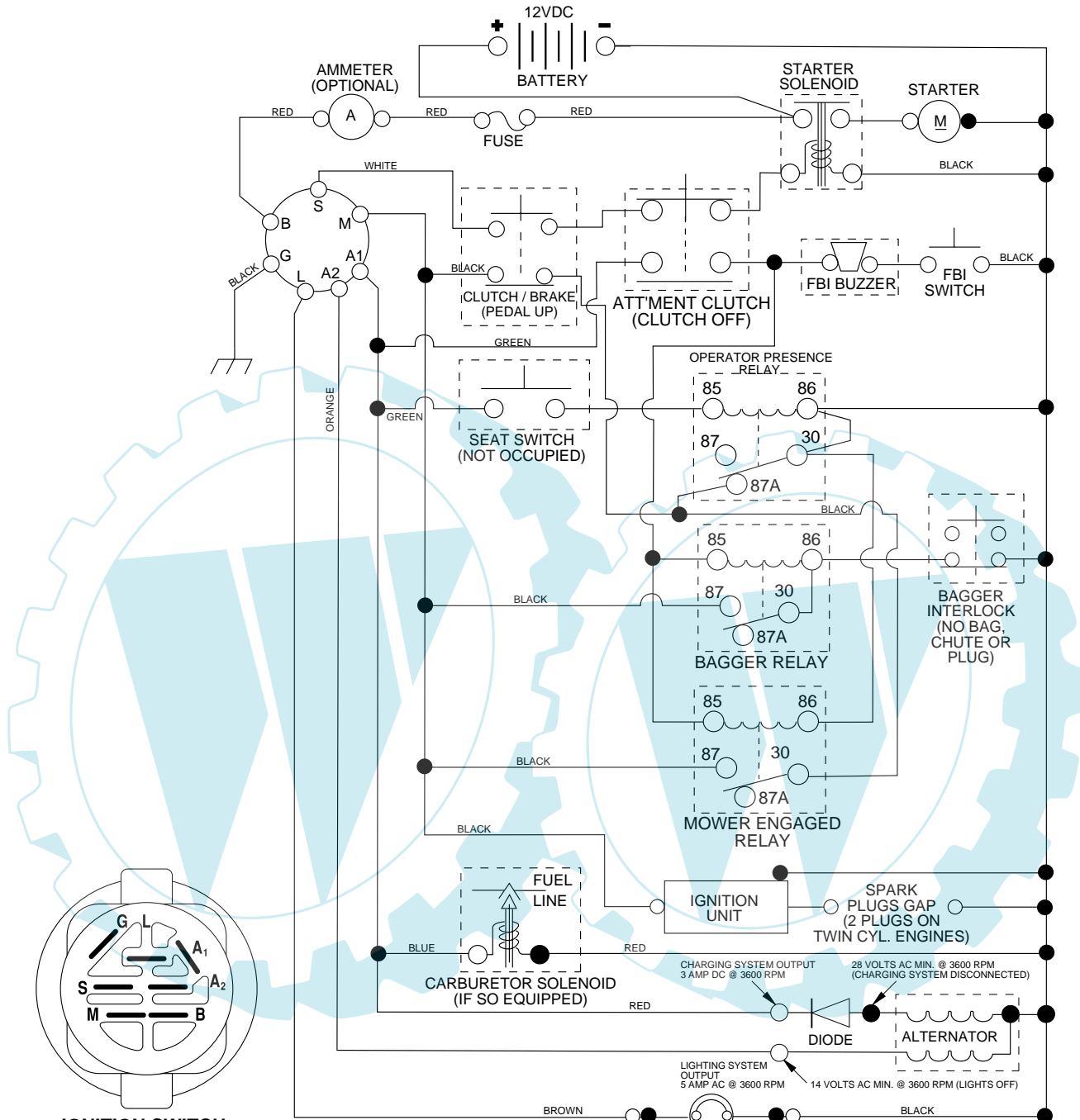
13.5 HP LAWN TRACTOR

MODEL NO. BL13536RB (BL13536RBA)

964 78 13-00



TRACTOR- -MODEL NO. BL13536RB (BL13536RBA) PRODUCT NO. 964 78 13-00
SCHEMATIC



IGNITION SWITCH

POSITION	CIRCUIT	"MAKE"
OFF	M+G+A1	NONE
RUN/LIGHT	B+A1	A2+L
RUN	B+A1	NONE
START	B + S + A1	NONE

WIRING INSULATED CLIPS
NOTE: IF WIRING INSULATED CLIPS WERE REMOVED FOR SERVICING OF UNIT, THEY SHOULD BE REPLACED TO PROPERLY SECURE YOUR WIRING.

● NON-REMOVABLE CONNECTIONS

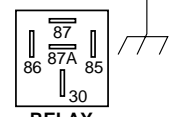
○ REMOVABLE CONNECTIONS

PTO SWITCH

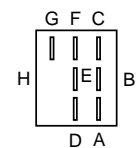
POSITION	CIRCUIT
OFF	C + G, B + H
ON	C + F, B + E, A + D

HEADLIGHTS

NOTE
YOUR TRACTOR IS EQUIPPED WITH A SPECIAL ALTERNATOR SYSTEM. THE LIGHTS ARE NOT CONNECTED TO THE BATTERY, BUT HAVE THEIR OWN ELECTRICAL SOURCE. BECAUSE OF THIS, THE BRIGHTNESS OF THE LIGHTS WILL CHANGE WITH ENGINE SPEED. AT IDLE THE LIGHTS WILL DIM. AS THE ENGINE IS SPEEDED UP, THE LIGHTS WILL BECOME THEIR BRIGHTEST.

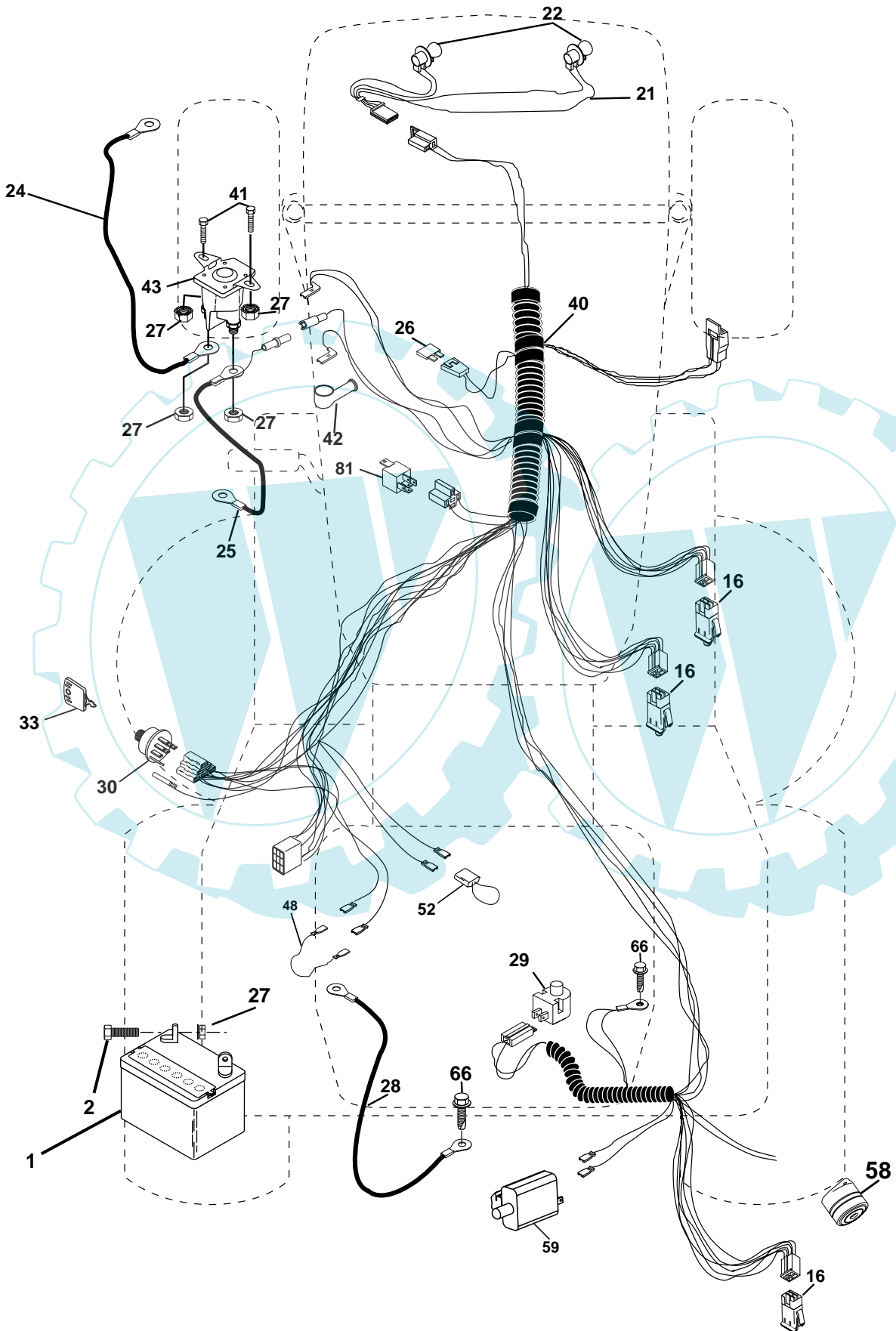


RELAY



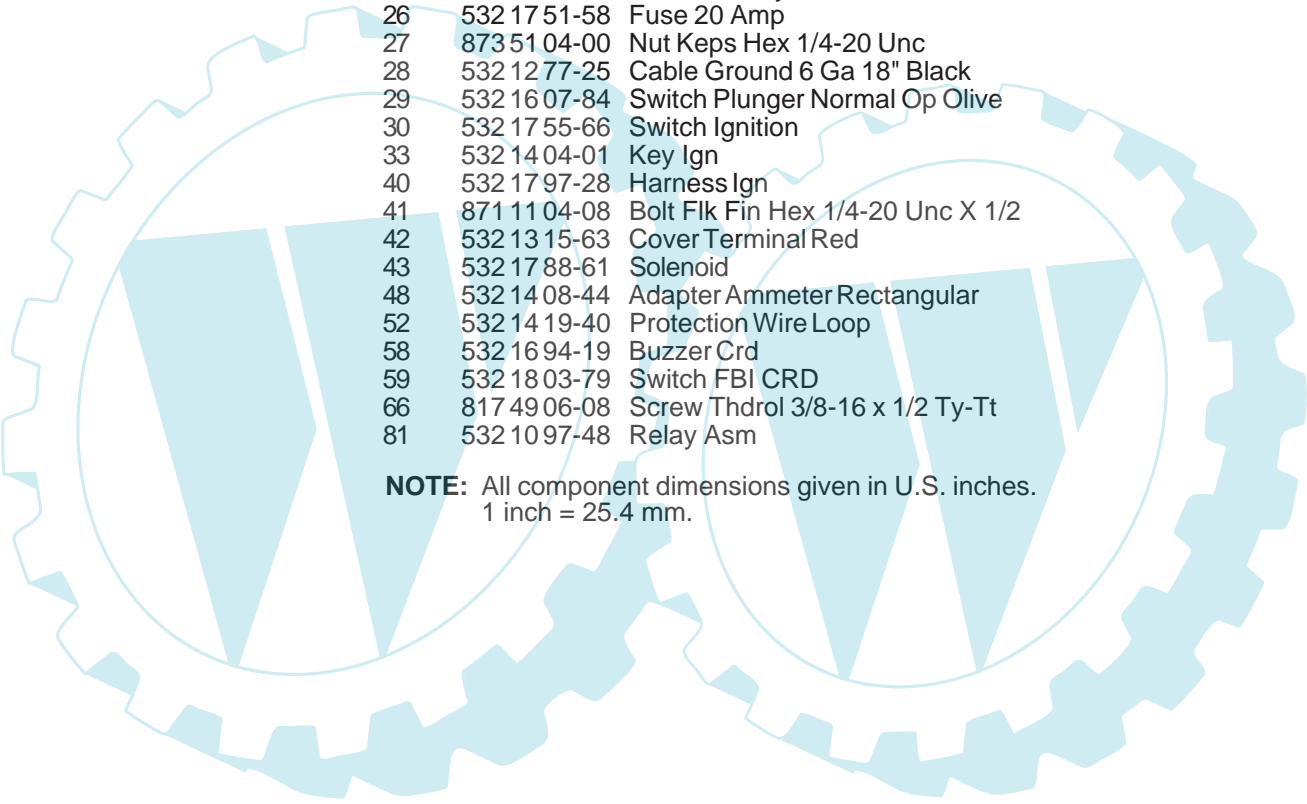
REPAIR PARTS

TRACTOR- -MODEL NO. BL13536RB (BL13536RBA) PRODUCT NO. 964 78 13-00
ELECTRICAL



REPAIR PARTS

TRACTOR- -MODEL NO. BL13536RB (BL13536RBA) PRODUCT NO. 964 78 13-00
ELECTRICAL

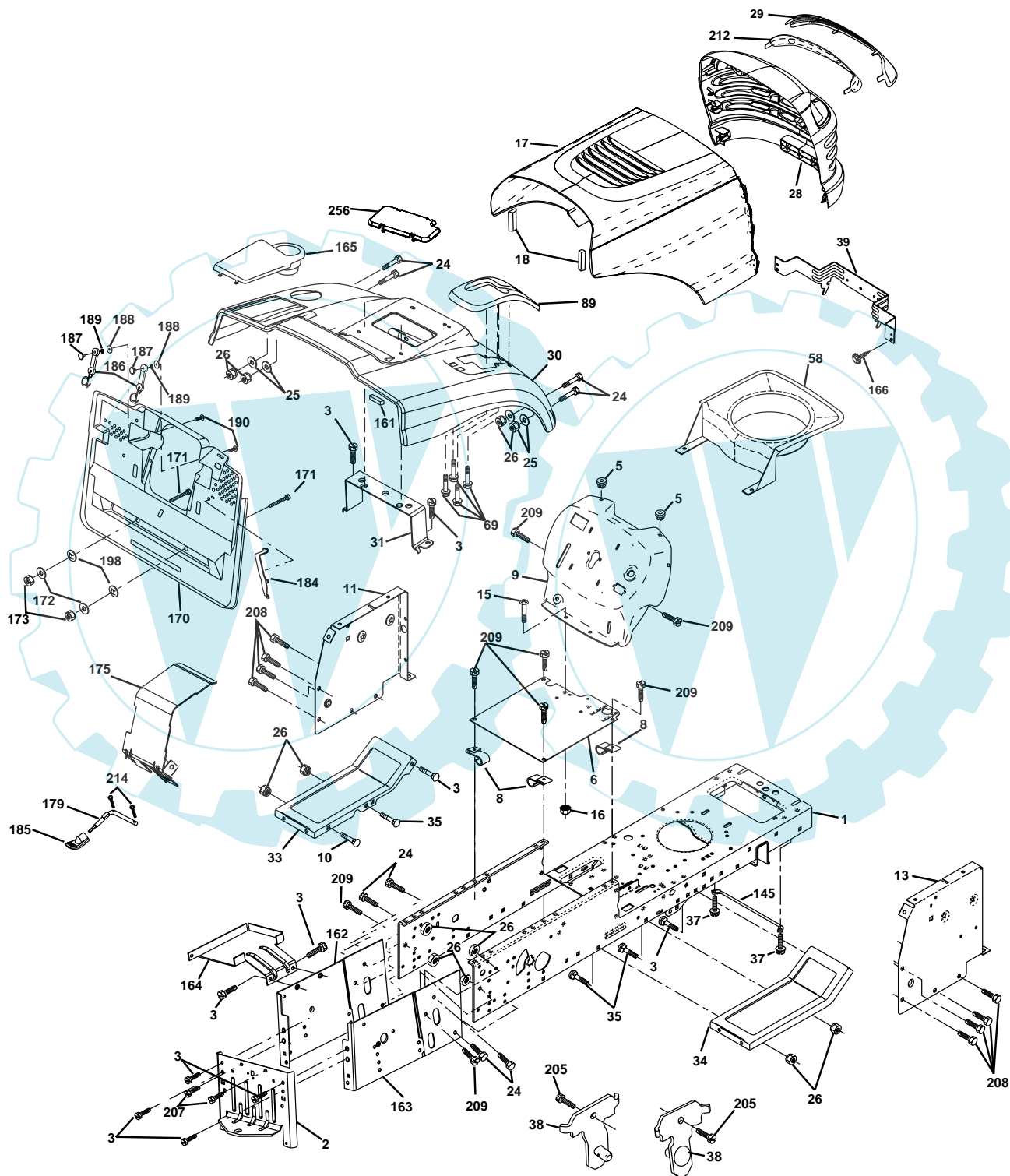


KEY NO.	PART NO.	DESCRIPTION
1	532 16 34-65	Battery
2	874 76 04-12	Bolt Hex Hd 1/4-20 Unc X 3/4
16	532 17 61-38	Switch Interlock Push-In
21	532 17 56-88	Harness Asm Light
22	532 00 41-52	Bulb Light #1156
24	532 12 47-80	Cable Starter 6Ga 11" Red
25	532 16 59-87	Cable Battery Crd 56" Red
26	532 17 51-58	Fuse 20 Amp
27	873 51 04-00	Nut Keps Hex 1/4-20 Unc
28	532 12 77-25	Cable Ground 6 Ga 18" Black
29	532 16 07-84	Switch Plunger Normal Op Olive
30	532 17 55-66	Switch Ignition
33	532 14 04-01	Key Ign
40	532 17 97-28	Harness Ign
41	871 11 04-08	Bolt Flk Fin Hex 1/4-20 Unc X 1/2
42	532 13 15-63	Cover Terminal Red
43	532 17 88-61	Solenoid
48	532 14 08-44	Adapter Ammeter Rectangular
52	532 14 19-40	Protection Wire Loop
58	532 16 94-19	Buzzer Crd
59	532 18 03-79	Switch FBI CRD
66	817 49 06-08	Screw Thdrol 3/8-16 x 1/2 Ty-Tt
81	532 10 97-48	Relay Asm

NOTE: All component dimensions given in U.S. inches.
1 inch = 25.4 mm.

REPAIR PARTS

TRACTOR- -MODEL NO. BL13536RB (BL13536RBA) PRODUCT NO. 964 78 13-00
CHASSIS AND ENCLOSURES



REPAIR PARTS

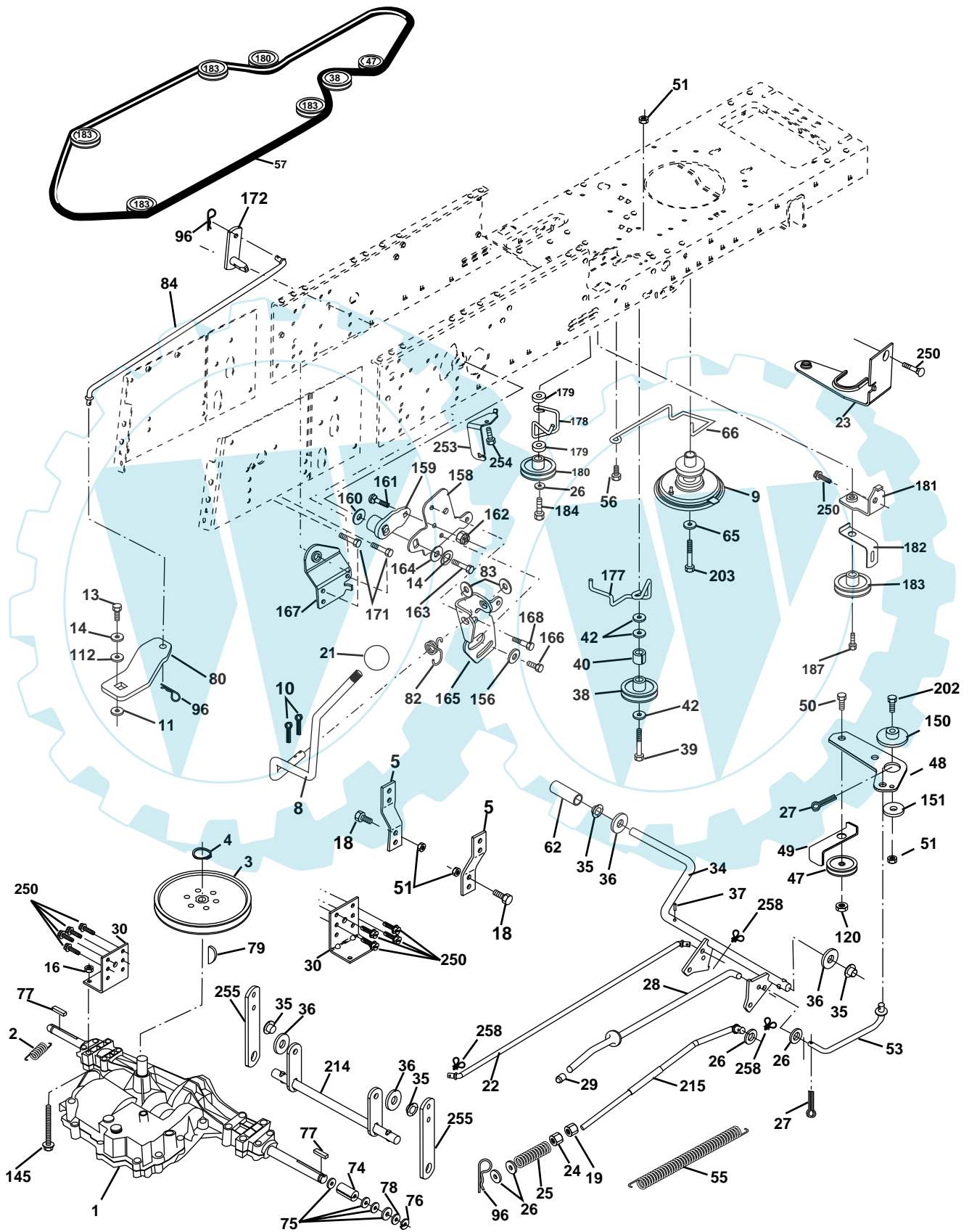
TRACTOR- -MODEL NO. BL13536RB (BL13536RBA) PRODUCT NO. 964 78 13-00 CHASSIS AND ENCLOSURES

KEY NO.	PART NO.	DESCRIPTION	KEY NO.	PART NO.	DESCRIPTION
1	532 17 46-20	Chassis	161	532 16 46-55	Bumper Extrusion
2	532 18 03-84	Drawbar	162	532 18 03-82	Bracket Exten Chassis Lh CRD
3	817 06 06-12	Screw 3/8-16 x .75	163	532 18 03-83	Bracket Exten Chassis Rh CRD
5	532 15 52-72	Bumper Hood/Dash	164	532 16 56-05	Support Battery CRD
6	532 15 59-23	Saddle	165	532 18 13-56	Cover Battery CRD Lt
8	532 12 64-71	Clip Insulator 13/32 Mtg. Hole	166	532 16 48-63	Screw #13-16 x 3/4
9	532 17 22-43	Dash	170	532 17 88-62	Backplate CRD
10	872 14 06-08	Bolt, Carriage 3/8-16 x 3/4	171	872 14 06-20	Bolt Rdhd Sqnk 3/8-16 x 2-1/2 G5
11	532 17 49-96	Panel, Dash, L.H.	172	819 13 20-16	Washer 13/32 x 1-1/4 x 16 Ga.
13	532 18 17-19	Panel, Asm. Dash R.H.	173	873 51 06-00	Nut, Keps Hex 3/8-16 UNC
15	874 18 05-12	Screw, Machine, Truss Head 5/16-18 UNC x 3/4	175	532 18 03-10	Trap Door CRD
16	873 51 05-00	Nut	179	532 18 03-76	Rod Pivot FBI CRD
17	532 18 29-07	Hood Assembly	184	532 17 46-62	Bracket Actuator Bagger CRD
18	532 12 69-38	Bumper Hood	185	532 18 11-01	Knob Rod
24	874 78 06-16	Bolt	186	532 16 07-93	Latch Asm Multch Bagger
25	819 13 13-12	Washer 13/32 x 13/16 x 12 Gauge	187	532 12 50-04	Nut Weld .327/.304 #10-24
26	873 80 06-00	Nut	188	819 06 12-16	Washer #10
28	532 17 97-49	Grille Lens Asm	189	810 07 10-00	Washer Lock #10
29	532 18 27-18	Lens	190	871 08 10-10	Screw Pan Hd Phillips 10-24 x 5/8
30	532 18 13-86	Fender	198	532 16 89-37	Nut Push
31	532 16 51-56	Bracket, Fender Support	205	817 49 06-08	Screw 3/8-16 x 1/2
33	532 18 10-57	Footrest, L.H.	207	817 67 05-08	Screw 5/16-18 x 1/2
34	532 18 10-58	Footrest, R.H.	208	817 67 06-08	Screw Thdrol 3/8-16 x 1/2
35	872 11 06-06	Bolt	209	817 00 06-12	Screw Hex Wsh Thdrol 3/8-16 x 3/4
37	817 49 05-08	Screw Thdrol 5/16-18 x 1/2 TYT	212	532 17 51-43	Insert Lens Reflective
38	532 17 57-10	Bracket Asm Pivot Mower Rear	214	532 12 47-88	Retainer Spring 1"
39	532 17 47-14	Bracket Pivot Laser	256	532 18 13-61	Cover Fender Rack CRD
58	532 15 01-27	Duct Air Engine Pl/Lt	--	532 00 54-79	Plug, Button
69	532 14 24-32	Screw Hex 1/4-1/2			
89	532 18 13-88	Console			
145	532 15 65-24	Rod Pivot Chassis/Hood			

NOTE: All component dimensions given in U.S. inches.
1 inch = 25.4 mm.

REPAIR PARTS

TRACTOR- -MODEL NO. BL13536RB (BL13536RBA) PRODUCT NO. 964 78 13-00
DRIVE



REPAIR PARTS

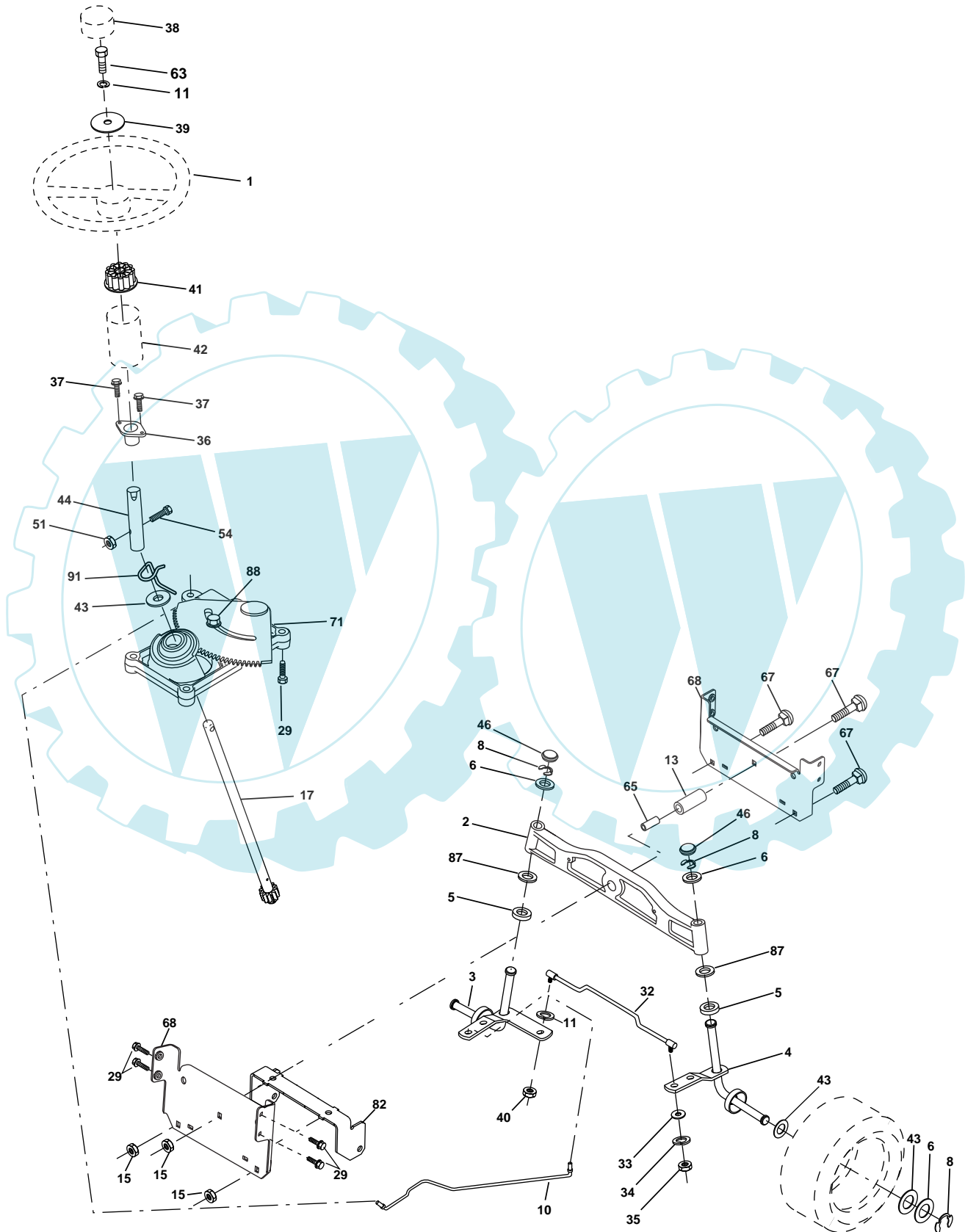
**TRACTOR- -MODEL NO. BL13536RB (BL13536RBA) PRODUCT NO. 964 78 13-00
DRIVE**

KEY NO.	PART NO.	DESCRIPTION	KEY NO.	PART NO.	DESCRIPTION
1	-----	Transaxle Peerless 206-546 Order parts from transaxle manufacturer	77	532 12 35-83	Key, Square
2	532 14 66-82	Spring Brake Return	78	532 12 17-48	Washer 25/32 x 1-5/8 x 16 Ga.
3	532 16 59-99	Pulley Transaxle	79	532 12 50-96	Key Woodruff
4	812 00 00-28	Ring Retainer #5100-62	80	532 14 50-90	Arm Shift PMST 20" Tires
5	532 12 15-20	Strap torque 30 degrees	82	532 16 57-11	Spring, Torsion
8	532 16 56-19	Rod Shift Fender Adjust Lt	83	819 17 12-16	Washer 17/32 x 3/4 x 16 Ga.
9	532 17 01-63	Clutch Asm Noram	84	532 16 56-21	Link Shift CRD Pmst 18" Tires
10	876 02 04-16	Pin, Cotter 1/8 x 1	96	532 12 47-88	Spring, Retainer 1"
11	532 10 57-01	Washer Plate Shf .3888 sq hole	112	819 09 12-10	Washer 9/32 x 3/4 x 10 Ga.
13	874 55 04-12	Bolt 1/4-28 Unf Gr 8 w/patch	120	873 90 06-00	Nut Lock 3/8-16
14	810 04 04-00	Washer, Lock Hvy Helical	145	874 49 05-40	Bolt Hex FGHD 5/16-18 x Gr 5
16	873 80 05-00	Nut, Lock Hex w/Ins 5/16-18 UNC	150	532 16 58-50	Bushing, Bellcrank Grnd Dr
18	874 78 06-16	Bolt Hex 3/8-16 UNC x 1 Gr.5	151	819 13 32-10	Washer 13/32 x 2 x 10 Ga.
19	873 80 06-00	Nut, Lock Hex w/Wsh 3/8-16 UNC	156	532 16 60-02	Washer Srrd 5/16 ID x 1.125
21	532 10 69-33	Knob Round 1/2-13 Unc Blk	158	532 16 55-89	Bracket Shift Mount
22	532 17 56-07	Rod, Brake CRD Main	159	532 16 54-94	Hub Tapered Flange Shift Lt
23	532 18 03-02	Bracket Clutch	160	819 29 20-16	Washer 29/32 x 1-1/4 x 16 Ga
24	873 35 06-00	Nut	161	872 14 04-06	Bolt Rdhd Sqnk 1/4-20 x 3/4 Gr 5
25	532 10 68-88	Spring, Rod, Brake	162	873 68 04-00	Nut Crownlock 1/4-20 Unc
26	819 13 13-16	Washer 13/32 x 13/16 x 16 Ga.	163	874 78 04-16	Bolt Hex Fin 1/4-20 Unc x 1 Gr 5
27	876 02 04-12	Pin, Cotter 1/8 x 3/4	164	819 09 10-10	Washer 5/8 x .281 x 10 Ga.
28	532 17 57-65	Rod, Parking Brake	165	532 16 56-23	Bracket Pivot Lever
29	532 07 16-73	Cap, Parking Brake	166	532 16 68-80	Screw 5/16-18 x 5/8
30	532 17 49-73	Bracket, Mfg. Transaxle	167	532 16 55-88	Bracket Support Shift CRD
34	532 17 55-78	Shaft, Asm Pedal Foot CRD	168	532 16 54-92	Bolt Shoulder 5/16-18 x .561
35	532 12 01-83	Bearing, Nylon	171	817 49 06-08	Screw Thdrol 3/8-16 x 1/2 Ty-Tt
36	819 21 16-16	Washer 21/32 x 1 x 16 Ga.	172	532 16 56-35	Shaft Asm Shift Front CRD PMST
37	532 12 49-63	Pin, Roll 3/16 x 1"	177	532 16 59-32	Keeper Flat Idler 3.06" CRD
38	532 16 59-36	Pulley, Flat	178	532 16 59-33	Keeper Belt Idler 1.88" CRD
39	874 76 06-44	Bolt Fin Hex 3/8-16 Unc x 2-3/4	179	532 12 09-58	Washer Sintered
40	532 12 49-65	Spacer, Split 395 x 59 Bzp	180	532 16 56-30	Pulley Flat Composite 3.06"
42	819 13 13-12	Washer 13/32 x 13/16 x 12 Ga.	181	532 18 02-11	Bracket Idler Ground Drive CRD
43	819 11 10-12	Washer 11/32 x 5/8 x 12 Ga.	182	532 18 26-82	Keeper Belt 2.5" Od V-Idler CRD
47	532 12 77-83	Pulley, Idler, V Groove Plasitc	183	532 17 90-50	Pulley V-Idler 2.50" Od CRD
48	532 15 44-07	Bellcrank Clutch Grnd Drv	184	817 49 06-44	Screw Hexwsh Thdrol 3/8-16 x 2-3/4
49	532 12 32-05	Retainer, Belt Style Spring	187	817 58 05-20	Screw 5/16-18 x 1.25
50	874 76 06-24	Bolt Hex Hd 3/8-16 UNC x 1-1/2	202	872 11 06-12	Bolt Carr. SH 3/8-16 x 1-1/2 Gr. 5
51	873 68 06-00	Nut, Crownlock 3/8-16 UNC	203	871 17 07-80	Bolt Hex 7/16-20 x 5
53	532 10 57-10	Link, Clutch 7.66	214	532 17 56-09	Shaft Asm. Brake
55	532 10 57-09	Spring, Return, Clutch	215	532 17 56-51	Rod Brake Secondary
56	874 76 06-20	Bolt, Hex 3/8-16 UNC x 1-1/4	250	817 06 06-12	Screw 3/8-16 x .75
57	532 16 56-31	V-Belt Kev PMST CRD	253	532 17 50-28	Bracket Cable Chassis
62	532 12 48-72	Cover, Pedal	254	817 06 06-16	Screw 3/8-16 x 1
65	810 04 07-00	Washer	255	532 17 56-08	Brace Shaft Brake
66	532 15 47-78	Keeper, Belt Engine F-Proof	258	532 17 80-62	Clip Retainer
74	532 13 70-57	Spacer Axle			
75	532 12 17-49	Washer 25/32 x 1-1/4 x 16 Ga.			
76	812 00 00-01	Ring, E			

NOTE: All component dimensions given in U.S. inches
1 inch = 25.4 mm

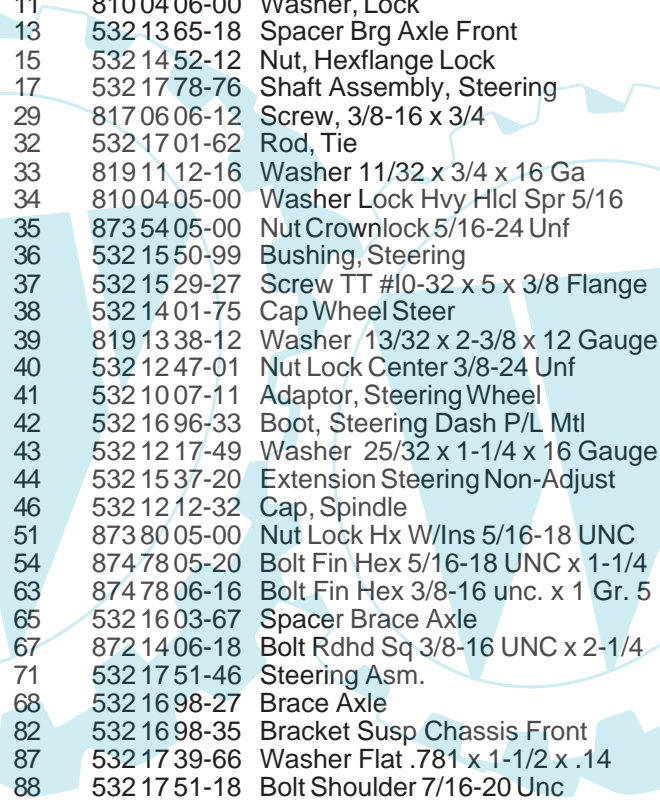
REPAIR PARTS

TRACTOR- -MODEL NO. BL13536RB (BL13536RBA) PRODUCT NO. 964 78 13-00
STEERING ASSEMBLY



REPAIR PARTS

TRACTOR- -MODEL NO. BL13536RB (BL13536RBA) PRODUCT NO. 964 78 13-00
STEERING ASSEMBLY

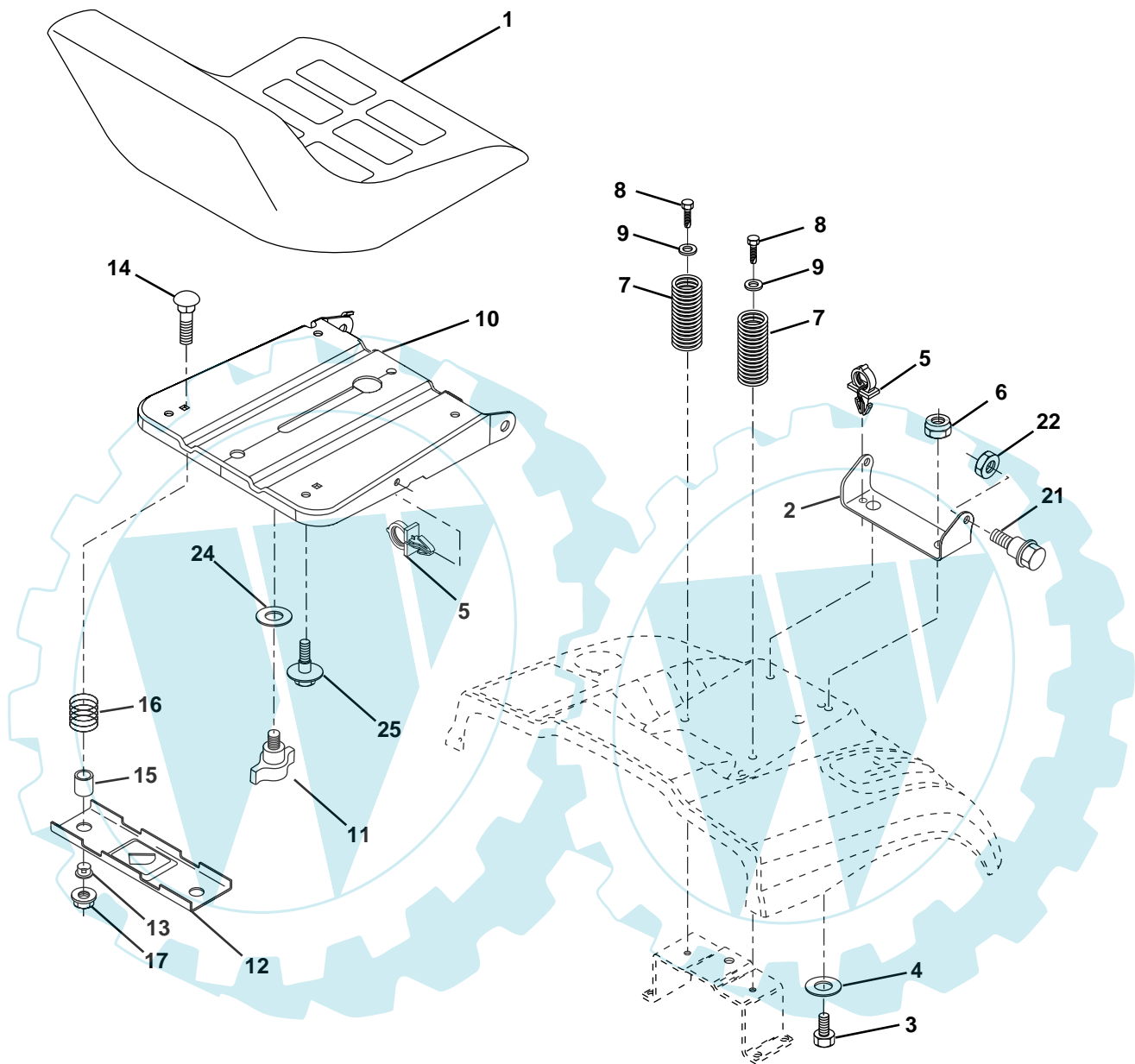


KEY NO.	PART NO.	DESCRIPTION
1	532 13 97-68	Steering Wheel
2	532 17 23-93	Cast Iron Axle Assembly
3	532 16 98-40	Spindle Assembly, L.H.
4	532 16 98-39	Spindle Assembly, R.H.
5	532 12 49-31	Bearing, Race, Thrust, Hardened
6	532 12 17-48	Washer 25/32 x 1-5/8 x 16 Gauge
8	812 00 00-29	Ring, Klip
10	532 17 51-21	Link, Drag
11	810 04 06-00	Washer, Lock
13	532 13 65-18	Spacer Brg Axle Front
15	532 14 52-12	Nut, Hexflange Lock
17	532 17 78-76	Shaft Assembly, Steering
29	817 06 06-12	Screw, 3/8-16 x 3/4
32	532 17 01-62	Rod, Tie
33	819 11 12-16	Washer 11/32 x 3/4 x 16 Ga
34	810 04 05-00	Washer Lock Hvy Hlcl Spr 5/16
35	873 54 05-00	Nut Crownlock 5/16-24 Unf
36	532 15 50-99	Bushing, Steering
37	532 15 29-27	Screw TT #10-32 x 5 x 3/8 Flange
38	532 14 01-75	Cap Wheel Steer
39	819 13 38-12	Washer 13/32 x 2-3/8 x 12 Gauge
40	532 12 47-01	Nut Lock Center 3/8-24 Unf
41	532 10 07-11	Adaptor, Steering Wheel
42	532 16 96-33	Boot, Steering Dash P/L Mtl
43	532 12 17-49	Washer 25/32 x 1-1/4 x 16 Gauge
44	532 15 37-20	Extension Steering Non-Adjust
46	532 12 12-32	Cap, Spindle
51	873 80 05-00	Nut Lock Hx W/Ins 5/16-18 UNC
54	874 78 05-20	Bolt Fin Hex 5/16-18 UNC x 1-1/4
63	874 78 06-16	Bolt Fin Hex 3/8-16 unc. x 1 Gr. 5
65	532 16 03-67	Spacer Brace Axle
67	872 14 06-18	Bolt Rdhd Sq 3/8-16 UNC x 2-1/4
71	532 17 51-46	Steering Asm.
68	532 16 98-27	Brace Axle
82	532 16 98-35	Bracket Susp Chassis Front
87	532 17 39-66	Washer Flat .781 x 1-1/2 x .14
88	532 17 51-18	Bolt Shoulder 7/16-20 Unc
91	532 17 55-53	Clip Steering

NOTE: All component dimensions given in U.S. inches.
1 inch = 25.4 mm.

REPAIR PARTS

TRACTOR- -MODEL NO. BL13536RB (BL13536RBA) PRODUCT NO. 964 78 13-00
SEAT ASSEMBLY



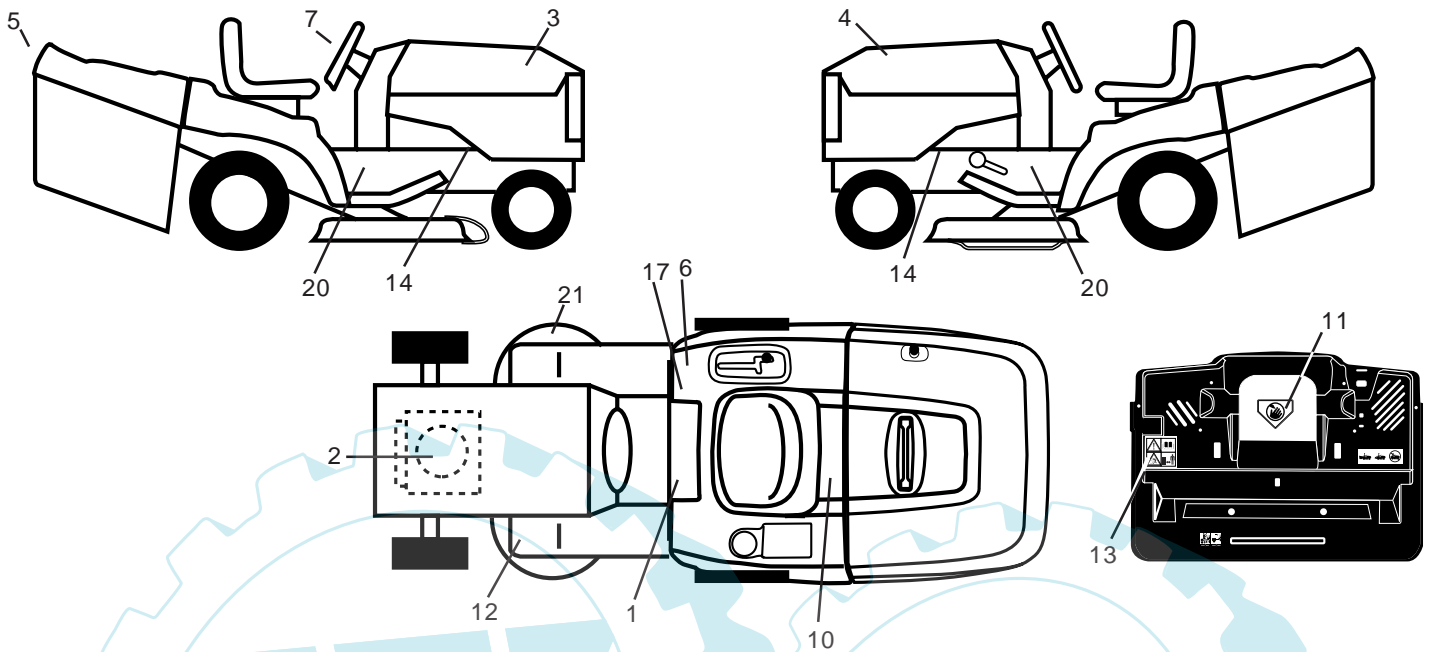
KEY NO.	PART NO.	DESCRIPTION
1	532 17 53-90	Seat
2	532 14 05-51	Bracket Pnt Pivot Seat (blk)
3	871 11 06-16	Bolt Fin Hex 3/8-16 Unc x 1
4	819 13 16-10	Washer Flat 13/32 x 1 x 10 Ga.
5	532 14 50-06	Clip Push In Hinged
6	873 80 06-00	Nut Lock Hex 3/8-16 Unc
7	532 12 41-81	Spring Seat Cprsn 2 250 Blk Zi
8	817 00 06-16	Screw 3/8-16 X 1-1/2
9	819 13 16-14	Washer 13/32 X 1 X 14 Ga
10	532 18 24-93	Pan Pnt Seat (blk)
11	532 16 63-69	Knob Seat
12	532 12 12-46	Bracket Pnt Mounting Switch

KEY NO.	PART NO.	DESCRIPTION
13	532 12 12-48	Bushing Snap Blk Nyl 50 Id
14	872 05 04-12	Bolt Rdhd Sht Nk 1/4-20x1-1/2
15	532 12 12-49	Spacer Split
16	532 12 37-40	Spring Cprsn Plate SW 1.310 Ga
17	532 12 39-76	Nut Lock 1/4 Lge Flg Gr 5 Zinc
21	532 17 18-52	Bolt Shoulder 5/16-18 Unc-2A
22	873 80 05-00	Nut Hex Lock w/Ins 5/16-18
24	819 17 19-12	Washer 17/32 X 1-3/16 X 12 Ga.
25	532 12 70-18	Bolt Shoulder 5/16-18 X 62

NOTE: All component dimensions given in U.S. inches.
1 inch = 25.4 mm

REPAIR PARTS

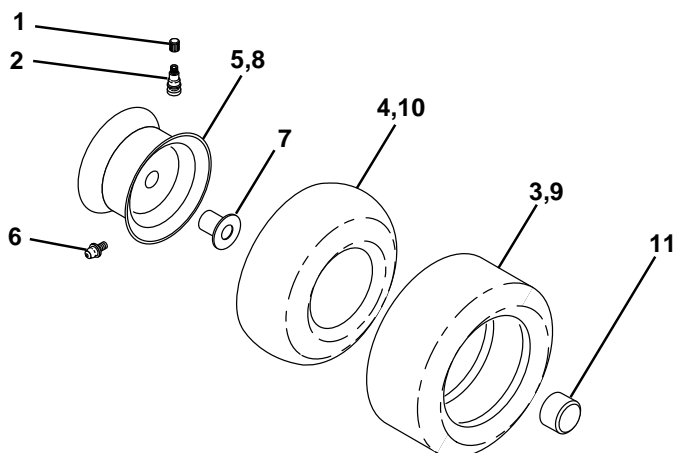
TRACTOR- -MODEL NO. BL13536RB (BL13536RBA) PRODUCT NO. 964 78 13-00
DECALS



KEY NO.	PART NO.	DESCRIPTION
1	532 14 54-98	Decal Read Owner's Manual Sym
2	532 17 21-68	Decal Hp Engine
3	532 17 96-98	Decal Hood RH
4	532 17 96-99	Decal Hood LH
5	532 16 67-08	Decal Fender Logo
6	532 18 04-32	Decal Fender 100 OB/CE
7	532 16 62-85	Decal Steer. Wheel
10	532 14 50-05	Decal Bat Dan/Poi P/L Sym Wpn
11	532 18 21-66	Decal Mower Cut Finger Symbol

KEY NO.	PART NO.	DESCRIPTION
12	532 15 97-37	Decal Brake/Clutch Symbol Lt
13	532 18 04-35	Decal Warn Back Plate CRD
14	532 15 97-36	Decal Chassis Hot Muffler
17	532 14 08-37	Decal Saddle Brake Parking
20	532 15 76-48	Decal Chassis
21	532 16 62-86	Decal Hex Belt Sch 92 CRD
—	532 13 83-11	Decal Lift Handle
—	532 18 26-21	Decal Bagger Frame
—	532 18 10-90	Pad Footrest RH
—	532 18 10-91	Pad Footrest LH
—	532 17 98-33	Manual Operator's (Euro)
—	532 17 98-34	Manual Parts

WHEELS & TIRES

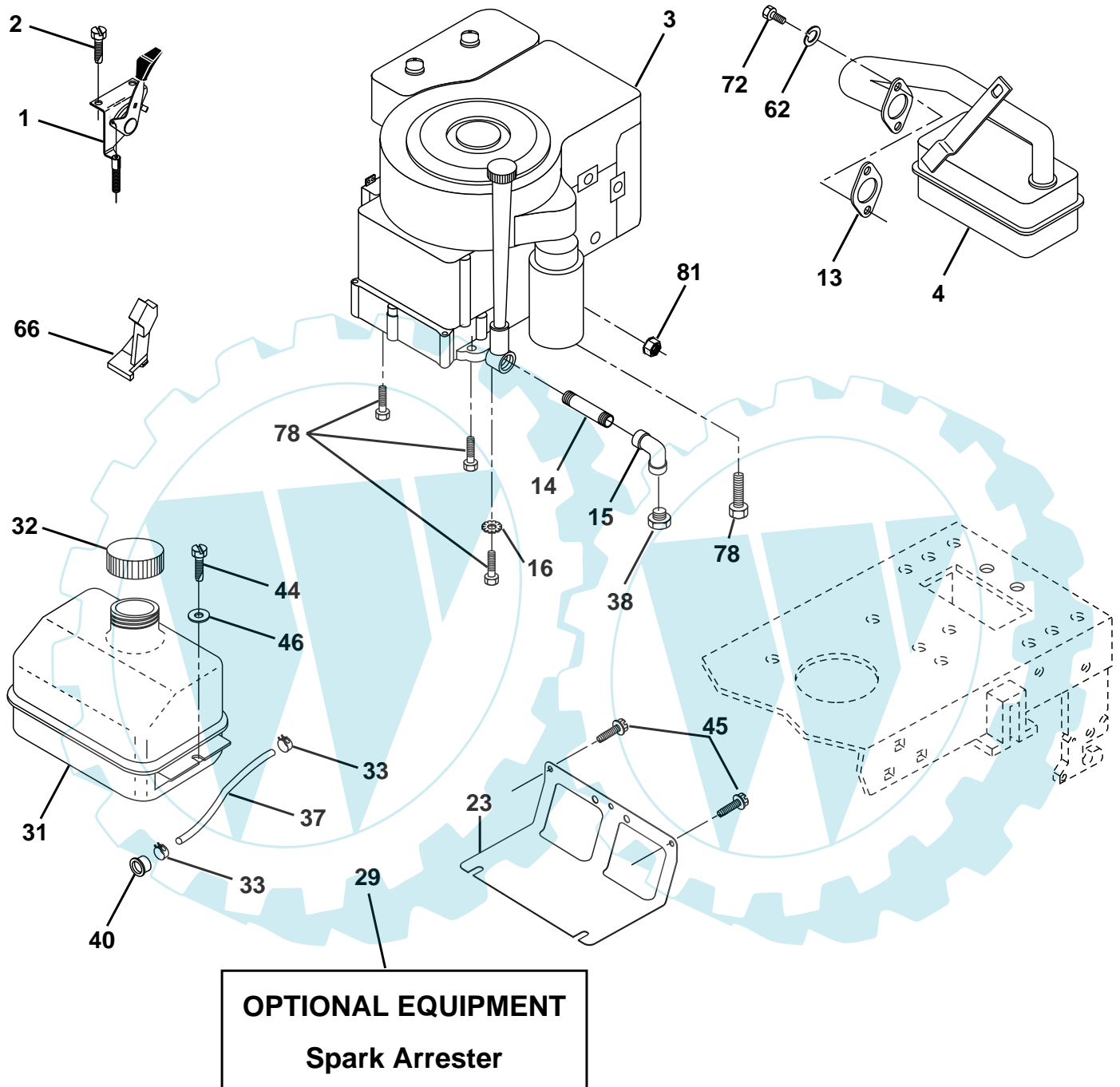


KEY NO.	PART NO.	DESCRIPTION
1	532 05 91-92	Cap Value Tire
2	532 06 51-39	Stem Value
3	532 10 62-22	Tire F Ts 15 X 6 0 - 6 Service
4	532 05 99-04	Tube Inner Front #35060
5	532 12 51-21	Rim Asm 6" front Service
6	532 12 49-57	Fitting Grease
7	532 12 49-59	Bearing Flange
8	532 12 51-22	Rim Asm 8" rear Service
9	532 12 46-35	Tire R Ts 20 x 8-8 Service
10	532 12 49-26	Tube Rear 9 5 X 8 Service
11	532 17 50-39	Cap Axle Blk 1 50 X 1 00
--	532 14 43-34	Sealant, Tire (10 oz. tube)

NOTE: All component dimensions given in U.S. inches
1 inch = 25.4 mm

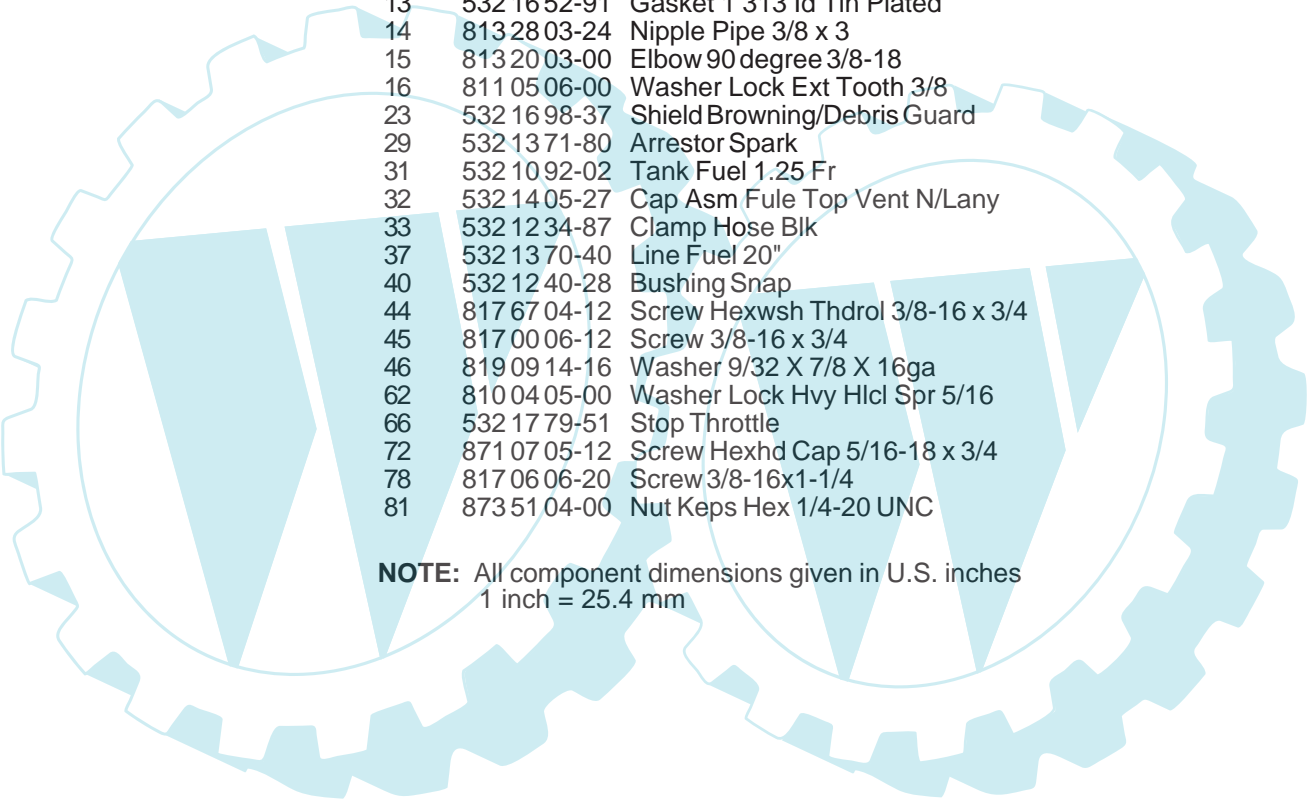
REPAIR PARTS

TRACTOR- -MODEL NO. BL13536RB (BL13536RBA) PRODUCT NO. 964 78 13-00
ENGINE



REPAIR PARTS

TRACTOR- -MODEL NO. BL13536RB (BL13536RBA) PRODUCT NO. 964 78 13-00
ENGINE

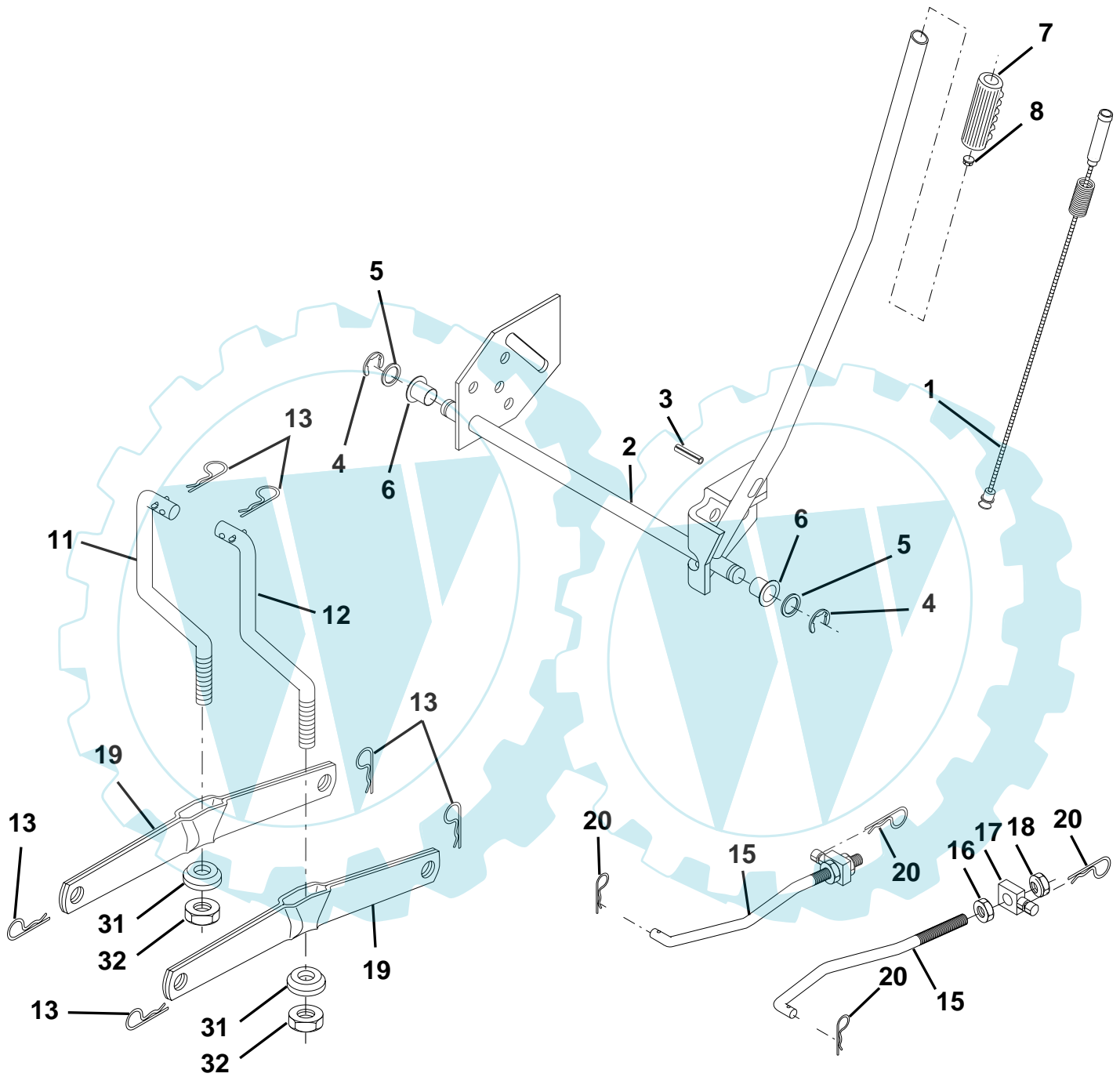


KEY NO.	PART NO.	DESCRIPTION
1	532 17 08-65	Control Throt
2	817 72 04-08	Screw Hex Thd Cut 1/4-20x5/8 T
3	-----	Engine B&S Model 28R707 (Order Parts from Engine Manufacturer)
4	532 13 73-48	Muffler Exhaust B&S Lt
13	532 16 52-91	Gasket 1 313 Id Tin Plated
14	813 28 03-24	Nipple Pipe 3/8 x 3
15	813 20 03-00	Elbow 90 degree 3/8-18
16	811 05 06-00	Washer Lock Ext Tooth 3/8
23	532 16 98-37	Shield Browning/Debris Guard
29	532 13 71-80	Arrestor Spark
31	532 10 92-02	Tank Fuel 1.25 Fr
32	532 14 05-27	Cap Asm Fule Top Vent N/Lany
33	532 12 34-87	Clamp Hose Blk
37	532 13 70-40	Line Fuel 20"
40	532 12 40-28	Bushing Snap
44	817 67 04-12	Screw Hexwsh Thdrol 3/8-16 x 3/4
45	817 00 06-12	Screw 3/8-16 x 3/4
46	819 09 14-16	Washer 9/32 X 7/8 X 16ga
62	810 04 05-00	Washer Lock Hvy Hlcl Spr 5/16
66	532 17 79-51	Stop Throttle
72	871 07 05-12	Screw Hexhd Cap 5/16-18 x 3/4
78	817 06 06-20	Screw 3/8-16x1-1/4
81	873 51 04-00	Nut Keps Hex 1/4-20 UNC

NOTE: All component dimensions given in U.S. inches
1 inch = 25.4 mm

REPAIR PARTS

TRACTOR- -MODEL NO. BL13536RB (BL13536RBA) PRODUCT NO. 964 78 13-00
MOWER LIFT



REPAIR PARTS

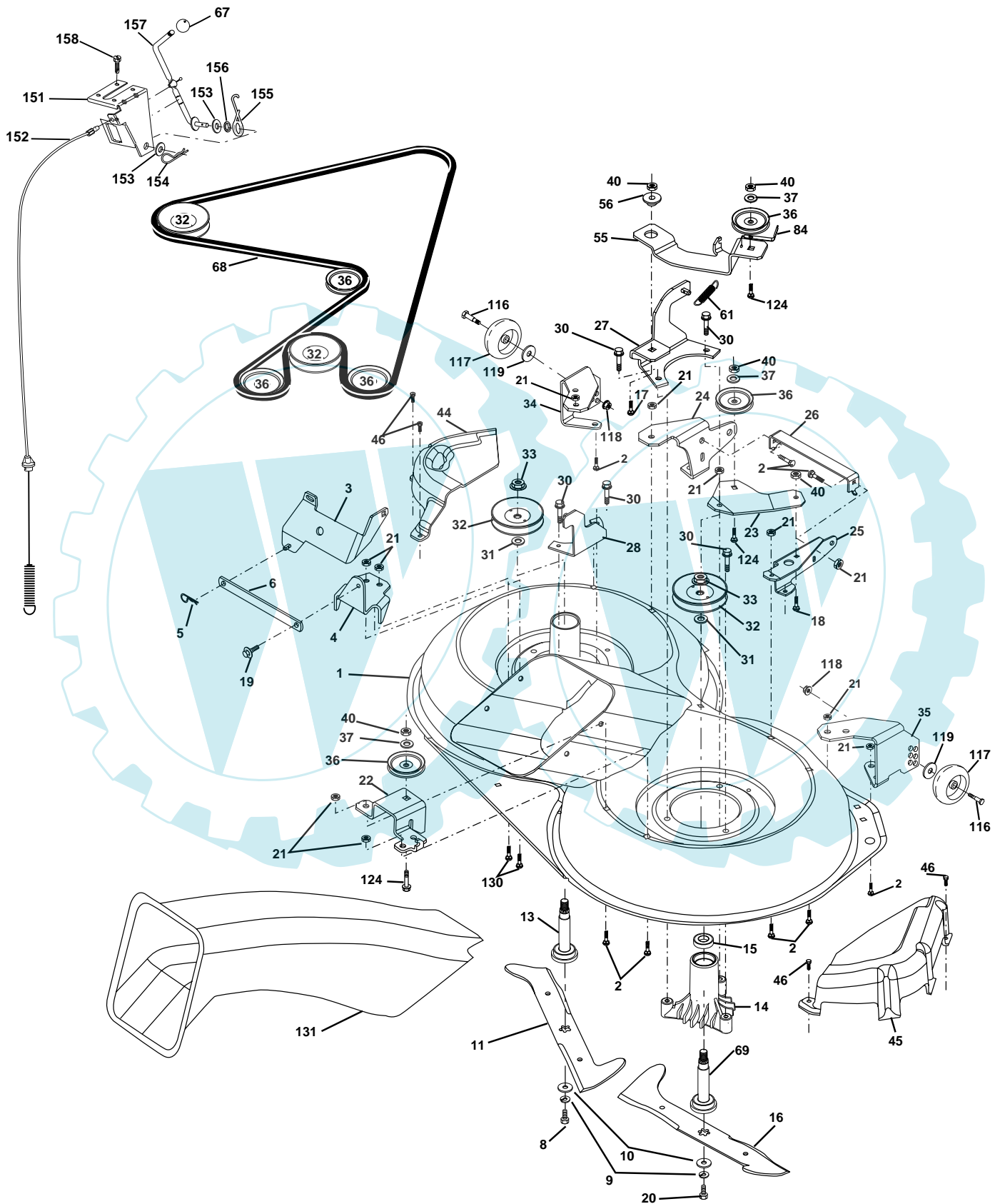
TRACTOR- -MODEL NO. BL13536RB (BL13536RBA) PRODUCT NO. 964 78 13-00
MOWER LIFT

KEY NO.	PART NO.	DESCRIPTION
1	532 15 94-60	Washer Asm Inner Spring W/Plunger
2	532 15 94-71	Shaft Asm. Lift
3	532 10 57-67	Pin Groove
4	812 00 00-02	E Ring #5133-62
5	819 21 16-21	Washer 21/32 x 1 x 21 Ga.
6	532 12 01-83	Bearing Nylon
7	532 10 94-13	Grip Handle Bicycle
8	532 12 45-26	Button Plunger Black
11	532 16 58-29	Link Asm Lift L.H.
12	532 16 58-31	Link Asm Lift R.H.
13	532 12 46-70	Retainer Spring
15	532 17 32-88	Link Front
16	873 35 08-00	Nut Jam Hex 1/2-13 Unc
17	532 17 56-89	Trunnion Blk Zinc
18	873 80 08-00	Nut Lock w/Wsh 1/2-13 Unc
19	532 13 98-68	Arm Suspension Mower
20	532 16 35-52	Retainer Spring
31	532 16 98-65	Bearing, Pvt. Lift.
32	873 54 06-00	Nut Crownlock 3/8-24

NOTE: All component dimensions given in U.S. inches
1 inch = 25.4 mm

REPAIR PARTS

TRACTOR- -MODEL NO. BL13536RB (BL13536RBA) PRODUCT NO. 964 78 13-00
MOWER



REPAIR PARTS

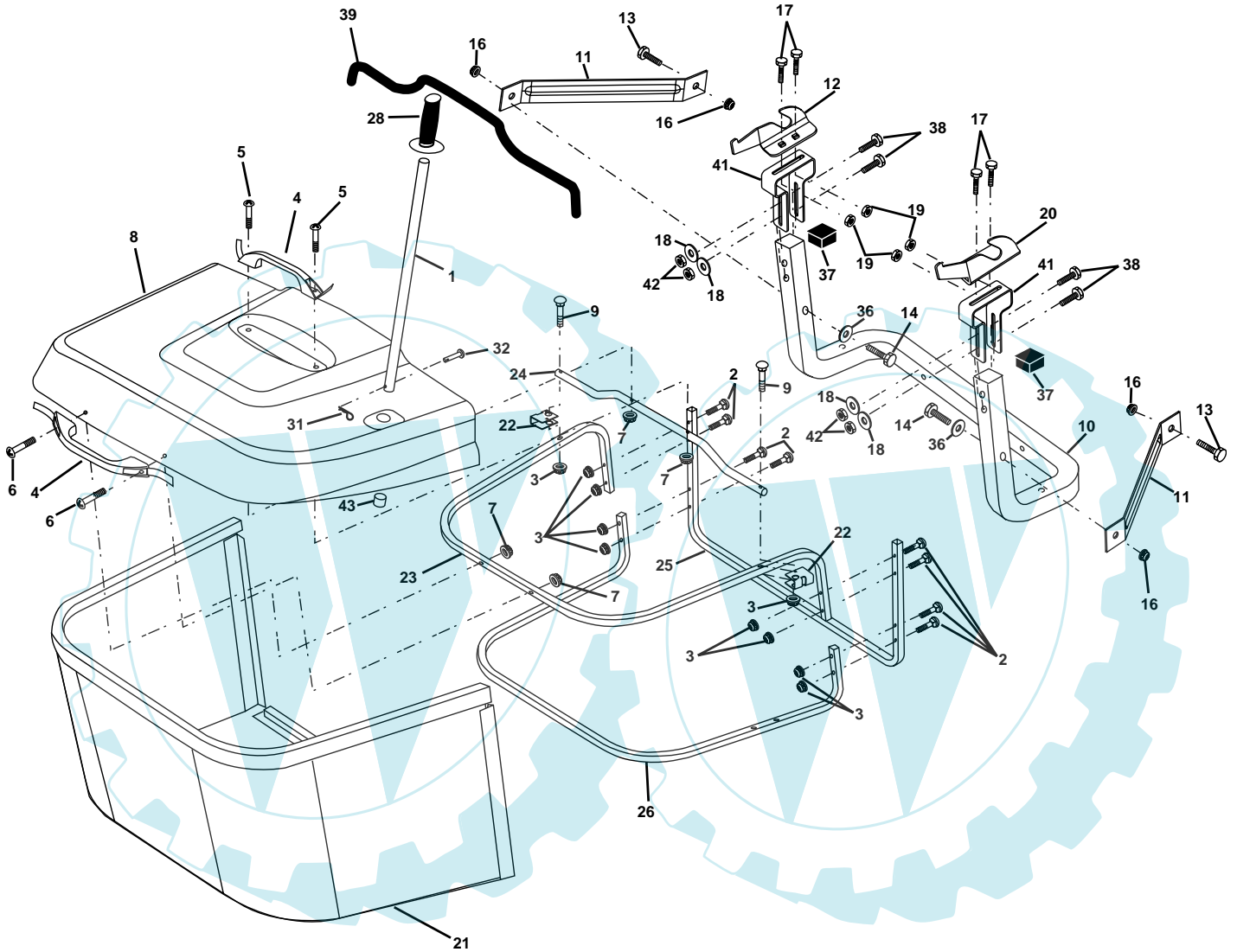
TRACTOR- -MODEL NO. BL13536RB (BL13536RBA) PRODUCT NO. 964 78 13-00
MOWER

KEY NO.	PART NO.	DESCRIPTION	KEY NO.	PART NO.	DESCRIPTION
1	532 1655-52	Housing Asm. Mower	40	873 6806-00	Nut Crownlock 3/8-16 Unc
2	872 1405-06	Bolt Rdhd Sqnk 5/16-18 Unc x 3/4	44	532 1755-38	Cover Mandrel Lh
3	532 1655-69	Bracket Asm. S-Bar Chass	45	532 1755-39	Cover Mandrel Rh
4	532 1655-58	Bracket Bar Sway Deck	46	532 1377-29	Screw Thd Roll 1/4-20 x 5/8
5	532 1246-70	Retainer Spring	55	532 1654-45	Arm Idler
6	532 1655-57	Bar Sway	56	532 1657-23	Spacer Retainer PM Mower
8	532 8508-57	Bolt 3/8-24 x 1.25 Gr8 Patched	61	532 1659-45	Spring Tension Belt
9	810 0306-00	Washer Lock Hvy 3/8 Unplated	67	532 1069-32	Knob Rd 3/8-16 Plstc Thds Blk
10	532 1402-96	Washer Hard Blade	68	532 1655-55	Hex-Belt 92 Mower
11	532 1700-37	Blade 3-1 Lh	69	532 1654-82	Shaft Asm W/Lwr Brg Rh Thd CRD
13	532 1376-45	Shaft Asm. W/Lower Bearing	84	532 1560-85	Keeper Belt Idler
14	532 1287-74	Housing Mandrel Vented (Machd)	116	532 1376-44	Bolt Shoulder
15	532 1104-85	Bearing Ball Mandrel	117	532 1339-57	Wheel Gage Donut Wide
16	532 1700-38	Blade 3-1 Rh	118	873 9306-00	Nut Centerlock 3/8-16 Unc
17	872 1406-10	Bolt Carriage 3/8-16 x 1-1/4	119	819 1214-14	Washer 3/8 x 7/8 x 14 Ga.
18	872 1106-08	Bolt Rdhd Sqnk 3/8-16 x 1 Gr5	124	872 1106-12	Bolt Carr Sh 3/8-16 x 1-1/2 Gr5
19	532 1328-27	Bolt Shoulder 5/16-18 Thd Form	130	872 1105-06	Bolt Rdhdsqnk 5/16-18 Unc x 3/4
20	532 1654-84	Bolt 3/8-24 x 1.25 Gr8 Ptch Lhthd	131	532 1656-61	Chute Bagger CRD
21	873 6805-00	Nut Crown Lock 5/16-18	151	532 1696-70	Bracket Clutch Cable
22	532 1652-43	Bracket Idler Sprt RR	152	532 1760-74	Cable Clutch CRD Service
23	532 1654-46	Bracket Idler Sprt RF	153	532 1696-74	Washer Flat 3/8" Type B
24	532 1652-42	Bracket Suspension LF	154	532 1696-75	Spring Retainer
25	532 1652-44	Bracket Suspension RF	155	532 1696-71	Spring Retainer Lvr Cltch Cab
26	532 1652-37	Brace Support Susp Frt CRD	156	532 1696-72	Spacer Clutch Cable
27	532 1655-68	Bracket Asm. Susp RR	157	532 1696-69	Rod Clutch Cable 3/8"
28	532 1655-67	Bracket Asm. Susp LR	158	817 7204-08	Screw Hex Thdcut 1/4-20 x 5/8
30	532 1739-84	Screw Thd Rolling Washer Head	-	532 1307-94	Mandrel Asm Service
31	532 1299-63	Washer Spacer Mower Vented	-	532 1655-79	Mandrel Asm CRD Lh Threads SVC
32	532 1535-31	Mandrel Pulleys 36 & 46	-	532 1806-44	Replacement Mower Complete
33	532 1783-42	Nut Flg Top Lock			
34	532 1652-39	Bracket Gauge Wheel Lf			
35	532 1652-38	Bracket Gauge Wheel Rf			
36	532 1467-63	Pulley Idler V-Groove Dim 4.25			
37	819 1313-16	Washer 11/32 x 13/16 x 16 Ga			

NOTE: All component dimensions given in U.S. inches
1 inch = 25.4 mm

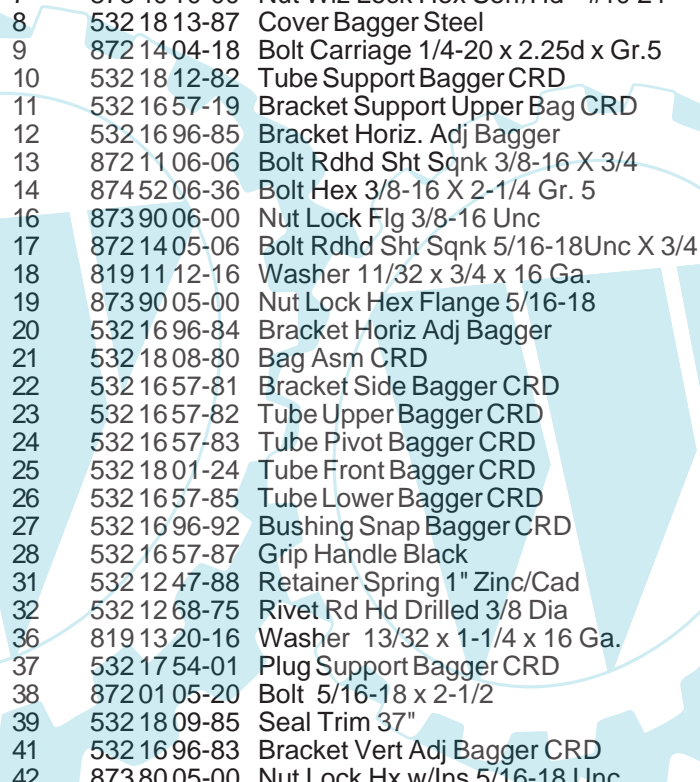
REPAIR PARTS

TRACTOR- -MODEL NO. BL13536RB (BL13536RBA) PRODUCT NO. 964 78 13-00
BAGGER



REPAIR PARTS

TRACTOR- -MODEL NO. BL13536RB (BL13536RBA) PRODUCT NO. 964 78 13-00
BAGGER



KEY NO.	PART NO.	DESCRIPTION
1	532 16 52-49	Tube Handle Bagger CRD
2	872 14 04-16	Bolt Carriage 1/4-20 X 2.0 Gr.5
3	532 12 39-76	Nut Lock 1/4 Lge Flg Gr. 5 Zinc
4	532 16 99-16	Handle Bagger w/Lvrs Gr. 5 Zinc
5	874 98 10-24	Screw Pan Head #10-24 X 1.50 Blk
6	874 98 10-32	Screw Pan Hd
7	873 40 10-00	Nut Wiz Lock Hex Serr/Hd #10-24
8	532 18 13-87	Cover Bagger Steel
9	872 14 04-18	Bolt Carriage 1/4-20 x 2.25d x Gr.5
10	532 18 12-82	Tube Support Bagger CRD
11	532 16 57-19	Bracket Support Upper Bag CRD
12	532 16 96-85	Bracket Horiz. Adj Bagger
13	872 11 06-06	Bolt Rdhd Sht Sqnk 3/8-16 X 3/4
14	874 52 06-36	Bolt Hex 3/8-16 X 2-1/4 Gr. 5
16	873 90 06-00	Nut Lock Flg 3/8-16 Unc
17	872 14 05-06	Bolt Rdhd Sht Sqnk 5/16-18Unc X 3/4
18	819 11 12-16	Washer 11/32 x 3/4 x 16 Ga.
19	873 90 05-00	Nut Lock Hex Flange 5/16-18
20	532 16 96-84	Bracket Horiz Adj Bagger
21	532 18 08-80	Bag Asm CRD
22	532 16 57-81	Bracket Side Bagger CRD
23	532 16 57-82	Tube Upper Bagger CRD
24	532 16 57-83	Tube Pivot Bagger CRD
25	532 18 01-24	Tube Front Bagger CRD
26	532 16 57-85	Tube Lower Bagger CRD
27	532 16 96-92	Bushing Snap Bagger CRD
28	532 16 57-87	Grip Handle Black
31	532 12 47-88	Retainer Spring 1" Zinc/Cad
32	532 12 68-75	Rivet Rd Hd Drilled 3/8 Dia
36	819 13 20-16	Washer 13/32 x 1-1/4 x 16 Ga.
37	532 17 54-01	Plug Support Bagger CRD
38	872 01 05-20	Bolt 5/16-18 x 2-1/2
39	532 18 09-85	Seal Trim 37"
41	532 16 96-83	Bracket Vert Adj Bagger CRD
42	873 80 05-00	Nut Lock Hx w/Ins 5/16-18 Unc
43	532 17 40-83	Plug Tubing end

NOTE: All component dimensions given in U.S. inches
1 inch = 25.4 mm